

# INSTANT-FLOW<sup>®</sup> MICRO - LOW FLOW

**APPLICATION:** commercial, industrial, residential, public lavatories, kitchen/bar sink

## PRODUCT FEATURES

- Uses a digital microprocessor for temperature control  
Ultra quick response times for temperature variations - 120 times per second. Microprocessor use is the most energy efficient means of heating water
- Unlimited hot water
- Ideal for sensor /hands-free faucets with the 104°F factory preset setting; no mixing valve needed
- Saves water and energy - 99% energy efficient
- Works with low flow applications
- Vandal resistant rugged cast aluminum housing
- Space saving compact size: 6-1/4" (H) x 9-5/8" x 2-3/4"
- Meets applicable building codes including ADA, UL, IAPMO, UPC.
- Environmentally friendly
- Made in the U.S.A.

Chronomite Instant-Flow<sup>®</sup> Micro - Low Flow models are manufactured to provide reliable point-of-use hot water at 0.5 gallon per minute with a minimum pressure of 25 PSI. There is no pressure and temperature relief valve needed (unless required by code), saving time and money on installation.

**Housing** is fabricated from rugged cast aluminum alloy.

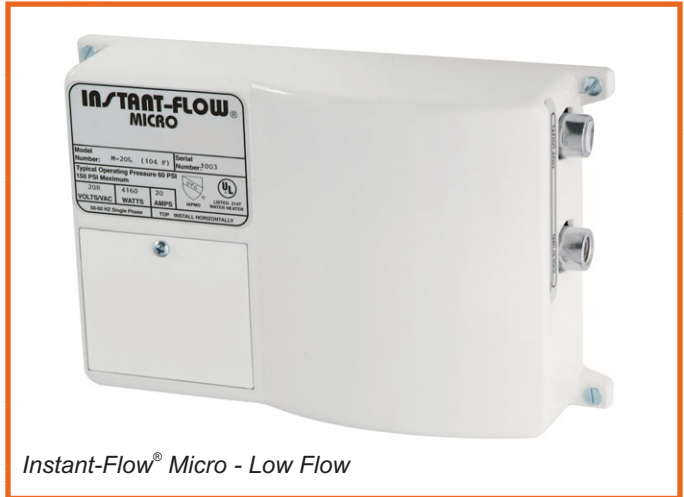
**Element assembly** is fabricated from Celcon plastic.

**Coils** are nichrome.

**Faucet flow controls and compression fittings** are supplied with each unit.

MODEL	BREAKER SIZE (AMPS)	VOLTAGE	WATTS	TEMP RISE @ 0.5 GPM
M-15L/277	15	277	4,150	57°F
M-20L/120	20	120	2,400	33°F
M-20L/208	20	208	4,160	57°F
M-20L/240	20	240	4,800	65°F
M-20L/277	20	277	5,540	75°F
M-30L/120	30	120	3,600	49°F

**For the model being selected, please place the corresponding amps and volts values in the Guide Specifications to the right.**



Instant-Flow<sup>®</sup> Micro - Low Flow

## GUIDE SPECIFICATION

Tankless Water Heater shall be a Chronomite Laboratories Model

M - \_\_\_\_\_ L / \_\_\_\_\_

AMPS                      VOLTS

\_\_\_\_\_

OPTIONS

with \_\_\_\_\_ Amps and \_\_\_\_\_ Volts

to heat 0.5 gpm to a preset temperature of:

- 104°F (Standard sensor faucet hand washing setting)
- 110°F (Standard hand washing setting Meets ADA)
- Other temperature settings available upon request (specify below)
- 120 °F (Meets health code) M-20L/240 & M-20L/277 only

Unit shall be provided with Celcon waterways, and Nichrome heating coils.

Hot water storage vessel and simple analog temperature controller are expressly prohibited.

### OPTIONAL HOUSING FINISH

- PA 765 ABS (P)
  - Satin Finish Stainless Steel (SS)
  - High Polish Finish Stainless Steel (SSP)
- eg. Model M-20L/240 with 20 Amps, 240 Volts heat 0.5 gpm to preset temperature of 104°F.



Member of U.S. Green Building Council



Water Conserving Product



Made in the USA

Complies with Standards for:



AB1953

### CHRONOMITE LABORATORIES, INC.

17451 Hurley St. :: City of Industry, CA 91744  
Phone 800-447-4962 :: 626-937-4270  
Fax 626-937-4279 :: www.chronomite.com

# INSTANT-FLOW<sup>®</sup> MICRO - LOW FLOW

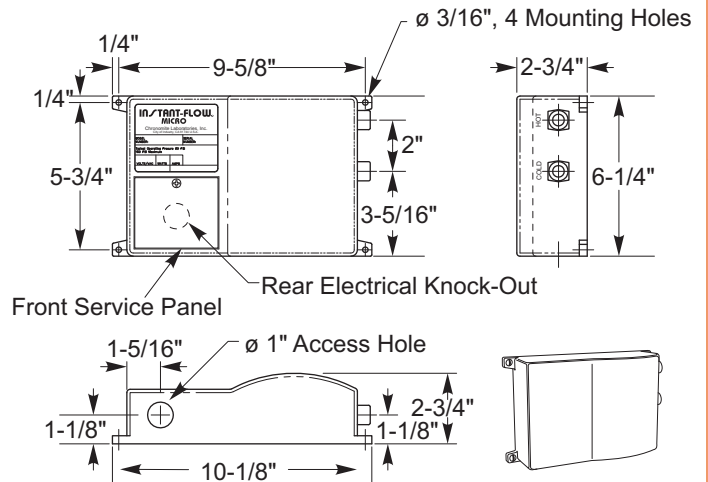
## TECHNICAL DIMENSIONS

### INSTANT-FLOW<sup>®</sup> MICRO - LOW FLOW

Dimensions:	6-1/4" (H) x 9-5/8" x 2-3/4"
Weight:	5 lbs.
Materials:	Rugged cast aluminum housing Celcon plastic element assembly with nichrome coils
Housing Color:	White
Minimum Operating Flow Rate:	0.4 GPM
Minimum Operating Pressure:	25 PSI
Maximum Operating Pressure:	150 PSI
Maximum Operating Temperature:	140°F
Listing:	UL, IAPMO, UPC, ADA

#### GENERAL NOTES:

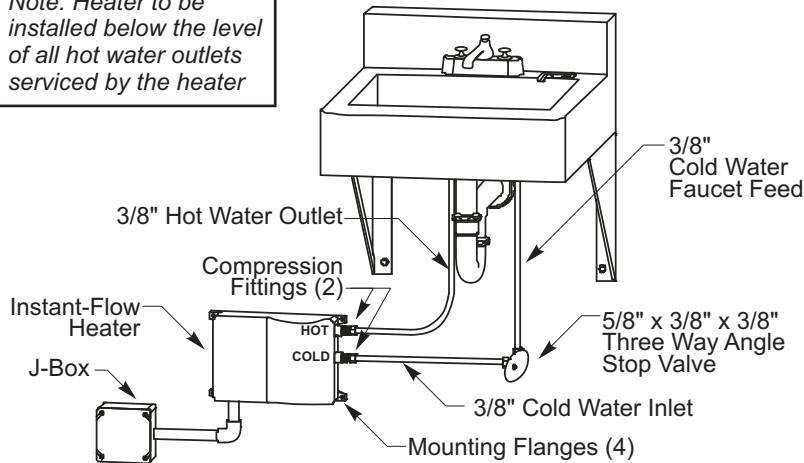
- The microprocessor adjusts the heater's power for variations in flow rates, inlet water temperature and pressure to assure the selected factory preset water temperature.
- 240V models when operated at 220V will have approximately a 15% wattage decrease.
- 120V models when operated 110V will have approximately a 15% wattage decrease.



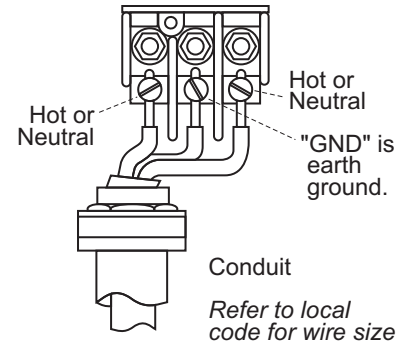
- Instant-Flow Micro is ideal for sensor/hands-free faucets with the 104°F factory preset setting temperature ; no mixing valve needed
- Factory setting of 110°F or above require cold water mixing at the hand wash faucet.
- Microprocessor limits temperature increase according to the pre-selected temperature.

## INSTALLATION DIAGRAM

Note: Heater to be installed below the level of all hot water outlets serviced by the heater



## WIRING CONNECTION



**ATTENTION:**  
Unit must be hard wired.  
NOTE: Heaters are single phase.  
All tests are measured at the output of the heater.

Chronomite Laboratories assumes no responsibility for use of void or suspended data. © Copyright 2009 Chronomite Laboratories, Inc. City of Industry, CA Chronomite is a Division of Acorn Engineering Company. Please visit [www.chronomite.com](http://www.chronomite.com) for most current specifications.

SELECTION SUMMARY & APPROVAL FOR MANUFACTURING

Company \_\_\_\_\_

Model Number & Options \_\_\_\_\_ Quantity \_\_\_\_\_

Contact \_\_\_\_\_ Title \_\_\_\_\_

Signature (Approval for Manufacturing) \_\_\_\_\_ Date \_\_\_\_\_

**CHRONOMITE**  
LABORATORIES, INC.

PH. 800-447-4962

626-937-4270

FAX 626-937-4279

[www.chronomite.com](http://www.chronomite.com)